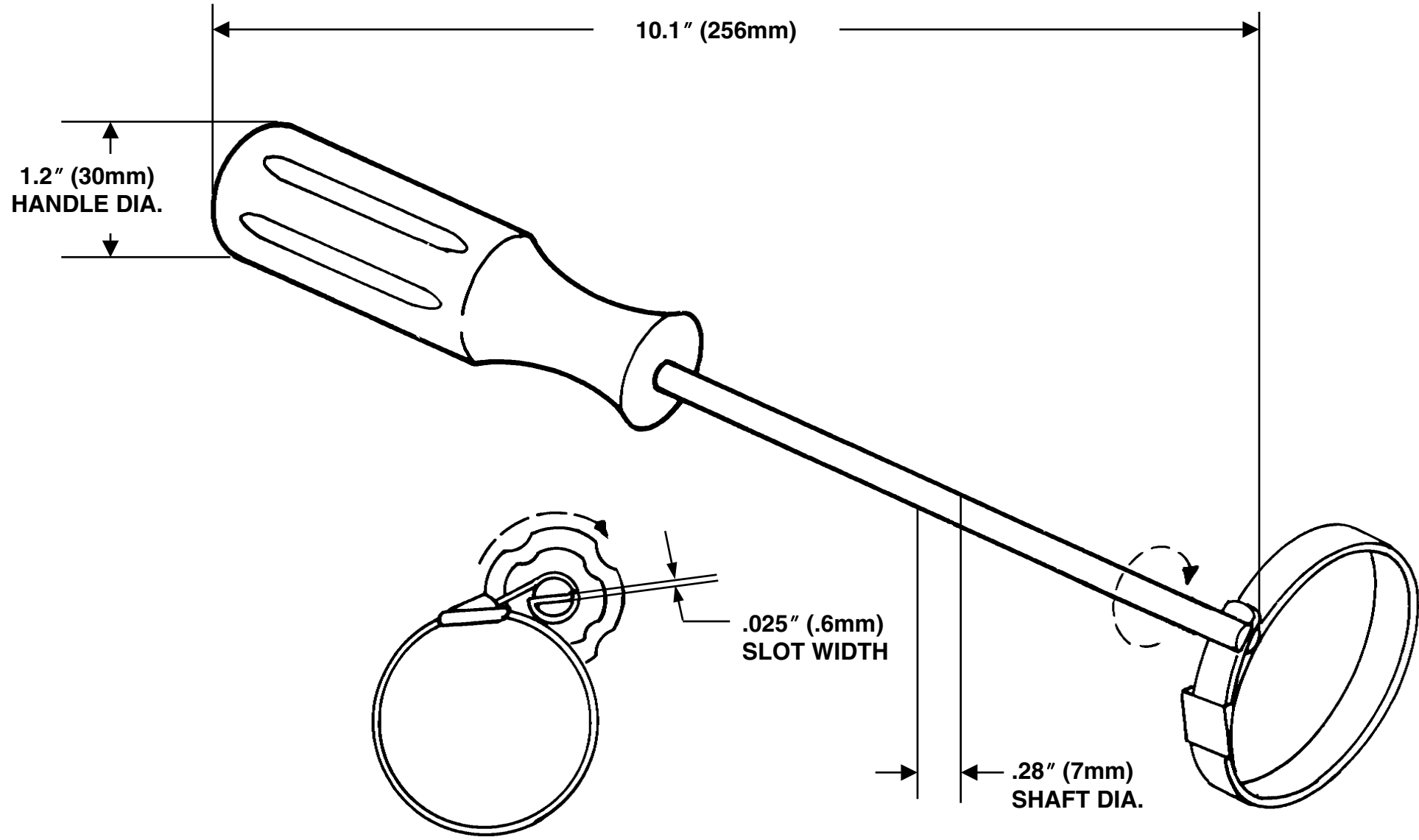


THIS COPY IS PROVIDED ON A RESTRICTED BASIS AND IS NOT TO BE USED IN ANY WAY DETRIMENTAL TO THE INTERESTS OF PANDUIT CORP.



**PANDUIT HTMT**

Convenient screwdriver-type tool used to tension standard, light-heavy and heavy cross-section ties.

- Economical
- Coiled tie end remaining after tensioning – assures a safe end
- No sharp edges
- Manual tension, no cut-off
- Installs ties parallel to the bundle

Used with standard, light-heavy and heavy cross sections of the following *PAN-STEEL* ties:

- Type MLT ties
- Type MLTC/MLTFC coated ties
- Type MLTDH double wrapped ties
- *WAVE-TY* Superior Grip Stainless Steel Ties

F:\wrkgrp\rvusers\ENGR DOCS-NEW\CUST DWGS\TB25214B01\_00 HTMT CD.doc

										<b>PANDUIT</b> CORP. TINLEY PARK, ILLINOIS			
										<b>HTMT * CUSTOMER DRAWING</b>			
										UNLESS OTHERWISE SPECIFIED, DIMENSIONAL TOLERANCES ARE: (.x) ± --- (.xxx) ± --- (.xx) ± --- ANGLES ± ---		UNLESS OTHERWISE SPECIFIED, ALL DIMENSIONS ARE GIVEN IN INCHES, THIRD ANGLE PROJECTION.	
										DRAWN BY: <b>BLR</b>	MATL: -----	SCALE <b>NONE</b>	
										DATE: <b>8-22-06</b>		DRAWING NO. <b>TB25214B01</b>	DWG <b>B</b> SIZE
										CHK'D: <b>ABJ</b>			
<b>00</b>	<b>8-22-06</b>	<b>BLR</b>	<b>ABJ</b>	<b>RELEASED</b>	<b>4221</b>	<b>---</b>	<b>LAH</b>						
REV	DATE	BY	CHK'D	DESCRIPTION	ECN	- R	CUST	SUP					